

Digital Indicator ID-C, ANSI/AGD Inch/Metric, 1", 0,00005", Flat Back Item number: 543-472B



Description

This is a multifunction indicator that is reliable and easy to use.

The ABSOLUTE Digimatic Indicator ID-C offers you the following benefits:

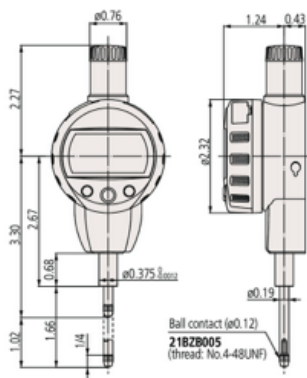
- The ABSOLUTE sensor means you don't have to carry out origin setting every time you power it on, saving you time and hassle.
- GO/±NG judgement is performed by setting the upper and lower tolerances.
- You can make simple calculations by a user-definable factor using the formula Ax (x is spindle displacement).
- Large character height of 11mm provides good readability.
- Display 330° rotatable.
- A function lock protects the display against unauthorised use.

Features

No.	543-472
Lug back plate:	
Range:	1"/25.4 mm
Range:	1" Inch
Digital step:	0,00005"/0,001 mm
Maximum Permissible Error E MPE:	0,0001"/0,003 mm
H MPE (Hysteresis):	0,0001"/0,002 mm
R MPE (Repeatability):	0,0001"/0,002 mm
Type:	ASME/ANSI/AGD Standard
Measuring force:	≤1,8 N
Protection:	IP42
Mass:	190 g
Display:	LCD, character height 11 mm rotatable 330°
Alarm:	Low voltage, counting value composition error, overflow error, tolerance limit setting error
Stem Ø:	9,52 mm
Contact point:	Carbide ball, thread # 4-48 UNF
Battery life:	approx. 7000 hours
Power supply:	1 battery SR-44

DATA/HOLD:	Yes
Data output:	Yes
ON/OFF:	Yes
ZERO/ABS:	Yes
PRESET:	Yes
Selectable resolution:	Yes
GO/±NG judgement:	Yes
Calculation function (with formula):	Yes
Counting direction switchable:	Yes
Digital/Analog:	Digital
Inch-Metric:	Inch/Metric
Hysteresis:	0,0001"/0,002 mm
Max. response speed:	Unlimited
Delivered:	Including 1 battery

Dimensions



Accessories

Proposed additional products:



Digimatic Cable, Flat Straight Type

1m

905338

Suggested retail price: 33.00 €*



Digimatic Cable, Flat Straight Type

2m

905409

Suggested retail price: 39.00 €*



USB Input Tool Direct (Digimatic USB)

Digi/Digi2, Flat Straight Type

06AFM380F

Suggested retail price: 107.00 €*



U-WAVE-T, Buzzer Type

Wireless Transmitter

02AZD880G

Suggested retail price: 163.00 €*



**U-WAVE-T Connection Cable F
Flat Straight Type**

02AZD790F

Suggested retail price: **87.00 €***



**Spindle Lifting Cable
500mm**

540774

Suggested retail price: **28.00 €***



**Spindle Lifting Cable Auto-Stop
300mm**

901975

Suggested retail price: **22.00 €***



**Spindle Lifting Lever
for 12,7mm Range, ANSI/AGD Type**

21EZA199

Suggested retail price: **11.00 €***



**Spindle Lifting Knob
for 0,5", ANSI/AGD Type**

21EZA150

Suggested retail price: **31.00 €***



**Spindle Lifting Knob
for 25,4mm Range**

21EZA197

Suggested retail price: **64.00 €***

« < 1 2 > »

Spare parts

Consumable spares:



**Battery SR44 1.5V
938882**